



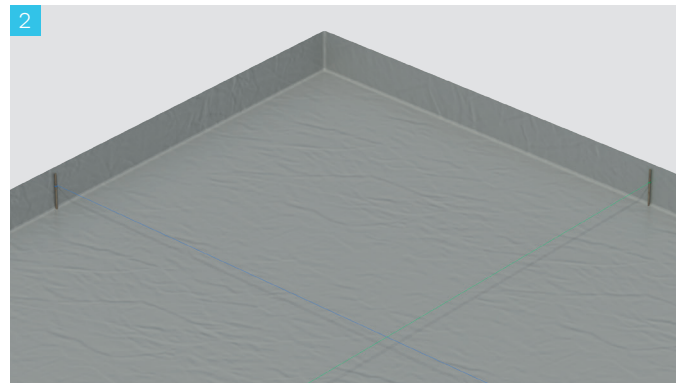
Installation Guide

Isedio ArmourJoint Adjustable

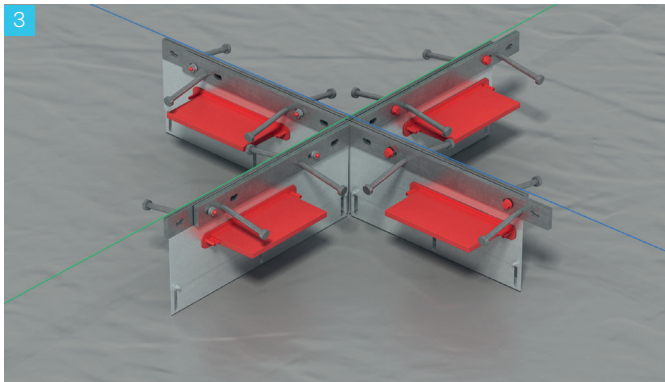
Installation



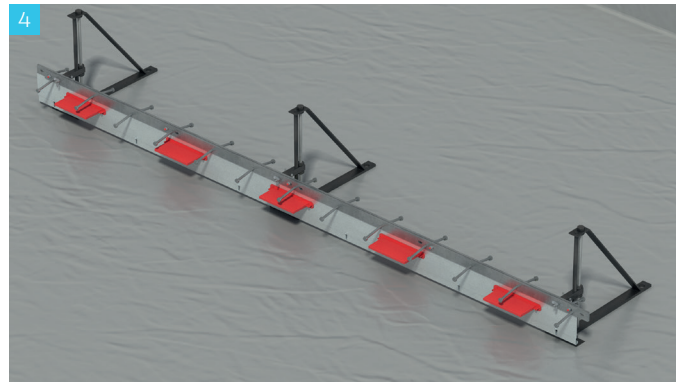
1 Set up the site. Laser dumpy level set up, finished floor level datum taken, membrane laid, hand tools available.



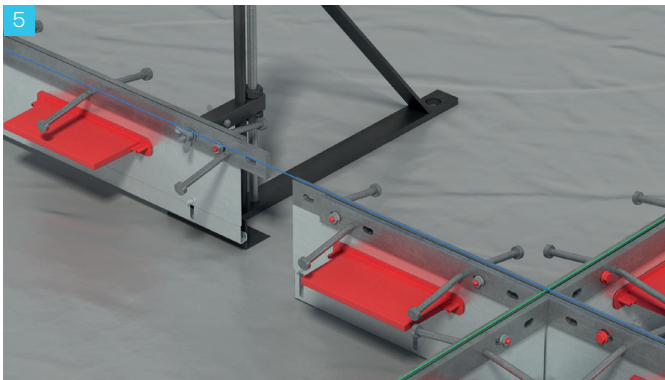
2 Measure the distances to the walls and edges. Set up the string line following the joint location.



3 If required, place the intersection (4-way, 3-way or corner).



4 Fit ArmourJacks to the ArmourJoint top strips.



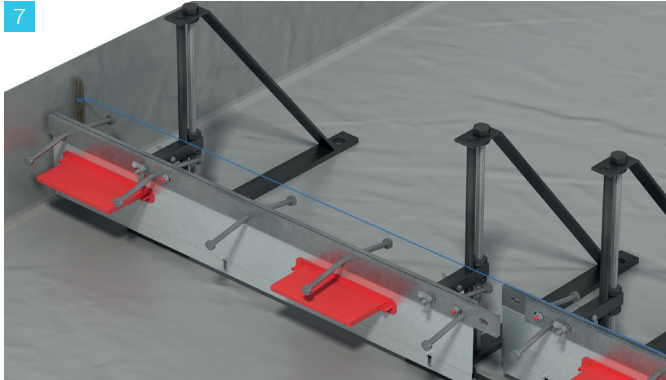
5 Position the ArmourJoints (with the jacks fitted) and attach them to the intersection.



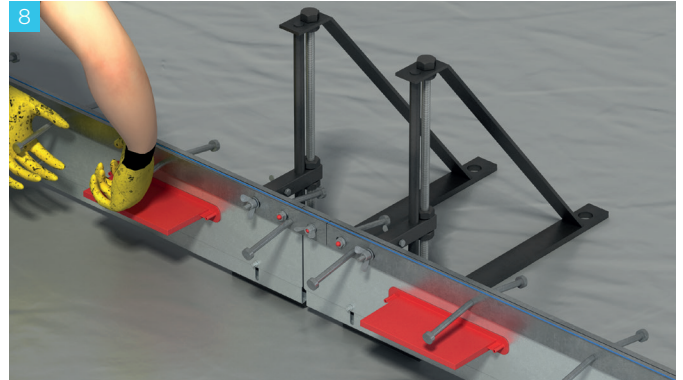
6 Continue to fit the ArmourJoints. Ensure the lapped joints are butted end to end tightly. Fit the plastic bolt and wing nut at the lapped joint.

Installation Guide

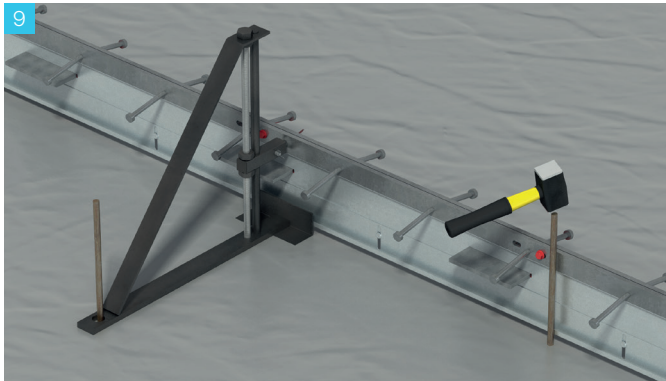
Isedio ArmourJoint Adjustable



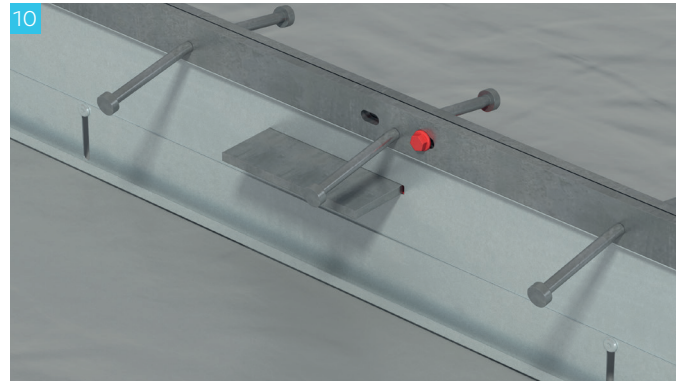
7 Measure final distance and cut ArmourJoint to suit, allow space for miothene between end joint and wall.



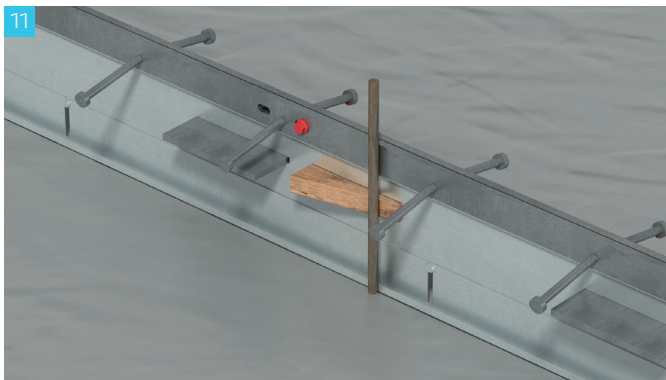
8 Manually position ArmourJoints in line with string lines.



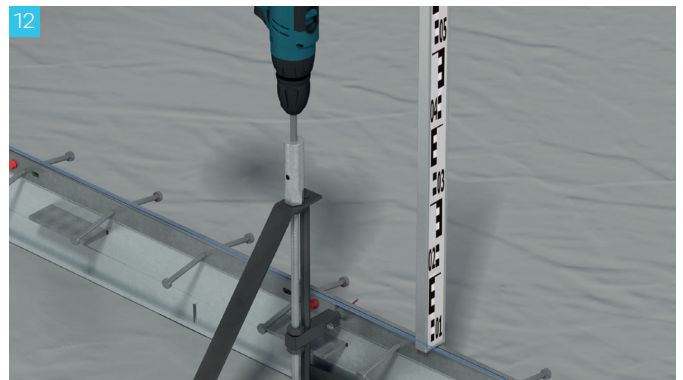
9 Pin the ArmourJacks into place and drive the pins behind the ArmourJoint in between the jacks.



10 Ensure the lower divider plate is pushed fully down to sub-base.



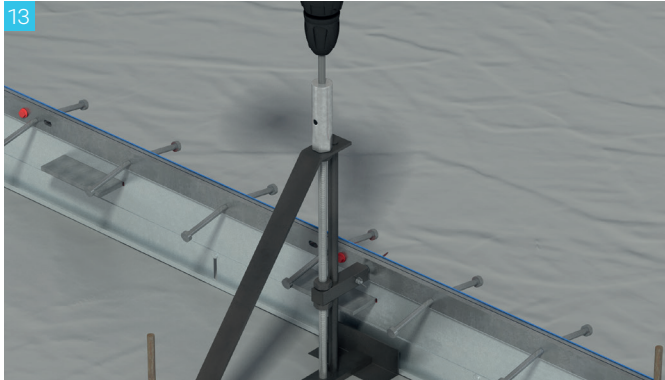
11 Fit the wooden wedges behind the pin to lock the joint in place.



12 Check the height and adjust where necessary using the nut on the jack.

Installation Guide

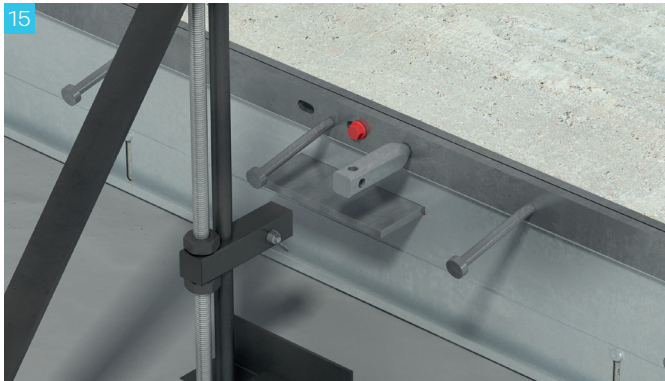
Isedio ArmourJoint Adjustable



13 Final visual inspection, adjust the position and height of the joint if required.



14 Pour the concrete while checking the height and position of the joint.



15 Remove the steel pin, disconnect the bolt and wingnut through the box section and pull the Armourfix Jack away from the joint.



16 To remove the Armourfix Ends, unscrew in a counter clockwise direction.

If for any reason the Armourfix End will not undo, do not force it as this may damage the concrete.

Never strike the Armourfix End with a hammer or such like as the force will transmit to the new concrete which has not reached its full compressive strength.

If the concrete has gripped to the Armourfix End (which can happen as the Armourfix End becomes dirty with old concrete or as it becomes rusty with use), then cut the Armourfix End off, flush with the side of the top strip of the joint. Ensure the cut is close enough to the top strip to allow the joint to open but do not damage the arris or top surface of the top strip.

Never leave an Armourfix End in place and cast the adjacent concrete slab. Leaving the Armourfix End in the concrete will cause the joint to remain locked up. As the two slab panels cure/dry the contraction of the slab panels will pull the joint top strips apart. Any Armourfix End left in the concrete will prevent the joint from opening and cause cracking. If this error is made, then as soon as it is noticed, carefully run a small hand held grinder with slitting disc between the topstrips to cut through the threaded end of the Armourfix End.